



TPS204

# INSTRUCTIONS



POWERSEAL  
**IP55**  
RATING  
- SOCKETS -  
When Lid Closed

THREE YEAR  
**3**  
GUARANTEE

## Introduction

PowerSeal products are a cost effective range of switches and socket outlets designed for external use with the necessary IP (water and dust protection) rating established by an independent test authority.

The socket outlet cannot be used while it is raining since there is no protection while a plug is in the socket but users would not be operating most commonly available DIY and gardening equipment in the rain.

The tough, impact resistant casings of this range give good physical protection in outdoor locations.

Water may accumulate outside the sealed area. To ensure full safety wipe the face of the socket before use.

The RCD is a non latching version. If set, it allows the contacts to open if the mains supply is interrupted, a safety must for applications such as gardening and power tools.

The RCD unit fully complies with BS7288 and the socket outlet to BS1363. The combined unit provides protection against fire hazard and rapid double pole disconnection from electric shock for the appliance and cable connected to it.

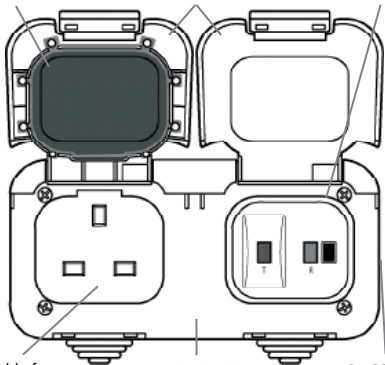
**Note:** RCD - Residual current device (formerly known as an earth leakage circuit breaker).

# 1 TPS204 RCD Protected Socket Outlet

Special IP55  
weatherproof  
seal

Easy lift  
spring back  
lid covers

IP55  
weatherproof  
rating

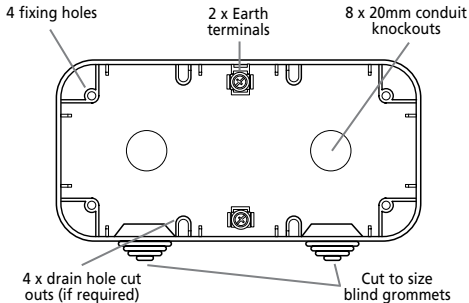


Suitable for  
all BS 13  
amp plugs

Tough, durable  
impact resistant  
housing

8 x 20mm  
knockout  
cable entries

# Double Gang Back Box (TPS204)



## Contents

TPS204 front assembly.  
TPS204 back box.  
TPS204 gasket.  
Instruction leaflet.

Warning label.  
4 x screws with  
o ring seals.

## 2 Installation

This product must be installed in accordance with the appropriate building and wiring regulations.

In all cases if there is a doubt as to how to proceed with an installation consult a qualified electrician, your Local Authority's Building Control Department or the Timeguard Helpline (020 8450 0515).

### 2.1 Cable Entry

Try to avoid siting the units in areas where there is direct sunlight for any length of time.

Cable entry can be made via conduit into any of the 8 knock outs on the top, bottom, sides or back of the back box. In all cases ensure there is a drain hole at the lowest point of the conduit system.

The knock out outline should be heavily scored with a sharp knife before tapping out.

The appropriate sealing washers for the conduit in use must be used to maintain the IP rating. The use of any knock outs apart from the ones at the bottom requires that the lower drain holes on the back box are opened and the IP rating may well be reduced. The blind grommets may be used for cable entry at the bottom 20mm holes. They must not be used in any other position

(including the rear) or the IP rating may be severely prejudiced. The blind grommets should be pierced centrally to give an undersize hole of a similar shape to the cable cross section.

## **2.2 Fixing Back Box**

Drill 4 holes according to the dimensions given on the rear of the back box. Fix with round head no. 8 woodscrews or equivalent using wall plugs if necessary. The length of the screw will depend on the surface being fixed to, for example fixing to roughcast would require a longer screw than fixing to brickwork.

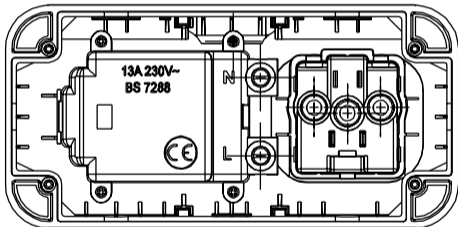
## **2.3 Connecting Cables**

Allow sufficient excess cable to wire up the socket, but not too much to make it difficult to close the front plate onto the back box. The RCD socket outlet should form part of a 30A ring main, or terminate a spur off a 30A ring main.

In spur configuration we recommend feed cable of 1.5mmsq. If the unit is to form part of a ring then incoming and outgoing cables must be 2.5mmsq.

Use back box earthing terminals to maintain earth continuity where required.

- Connect incoming earth to socket earth terminal
- Connect incoming (and outgoing) live to live terminal on RCD casing
- Connect incoming (and outgoing) neutral to neutral terminal on RCD casing
- Connect socket terminal earth to earth terminal in back case if required.





### 3 Specifications

Current rating:	13A to BS1363
Voltage:	220-240V, 50HZ AC
Rated trip current:	30mA
Trip speed:	Less than 40ms at 150mA residual current
RCD type:	Double pole, Suitable for 2 and 3 wire appliances
Breaking capacity:	250A (Earth leakage)
Through fault withstand:	1500A
Weatherproof rating:	IP55
Operating temperature range:	-5 to 40°C
Installation temperature range:	0 to 30°C
Complies with:	BS1363 and BS7288
Conforms to directives:	73-23-EEC, 89-336-EEC
Cable capacity:	1 x 6mmsq, or 2 x 4mmsq, or 3 x 2.5mmsq.

## 4 Operation

Always test the RCD socket outlet before use.

### To test:

- a RESET – press the button marked R (for reset), the status indicator should show red, showing the socket outlet is live.
- b TEST – press the red button marked T (for test), status indicator should show black. This indicates that the RCD has tripped and that power has been disconnected from the socket outlet.
- c RESET – press the button marked R again, the status indicator should show red.

If all the above operations work satisfactorily the RCD socket is safe for use. If the procedure is not completed satisfactorily do not use the RCD socket outlet and seek professional advice.

### To use:

After satisfactorily testing the RCD socket outlet the appliance may be plugged in and used in the confidence that the user is protected by rapid disconnection from electric shock.

### If the RCD trips:

Unplug the appliance. Press the button marked R and note that the status indicator turns red. Plug the appliance back in. If the RCD trips again, unplug the appliance and do not use, it may be faulty. Seek professional advice.

## **5 Safety Issues to Remember**

Electricity can be dangerous. Use of an RCD socket outlet should not be regarded as a substitute for basic electrical safety procedures.

Always test the rcd socket outlet before use. If the test procedure is not completed satisfactorily, or an appliance continually trips, unplug the appliance and seek professional advice.

To clean use a clean dry cloth only. Do not use any liquid cleaners.

Do not use outside the service conditions specified in section 3.

## **6 Wring Tests – Important**

Remove this product from circuit if carrying out tests (as described in the 16th edition of the IEE wiring regulations) for earth loop impedance, prospective short circuit current and insulation resistance.

Please use enclosed warning label to ensure this is carried out.

## ***3 Year Guarantee***

In the unlikely event of this product becoming faulty due to defective material or manufacture within 3 years of the date of purchase, please return it to your supplier in the first year with proof of purchase and it will be replaced free of charge. For years 2 and 3 or any difficulty in the first year telephone the helpline on **020 8450 0515**.

For a product brochure please contact:

**Timeguard Ltd.** Victory Park, 400 Edgware Road,  
London NW2 6ND Tel: 020-8452-1112  
or email [csc@timeguard.com](mailto:csc@timeguard.com)

A **theben** Group company

67-058-298