

TIMEGUARD®

Automatic Switch Load Controller

Model: ZV900



Installation & Operating Instructions

1. General Information

These instructions should be read carefully and retained for further reference and maintenance.

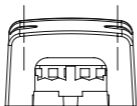
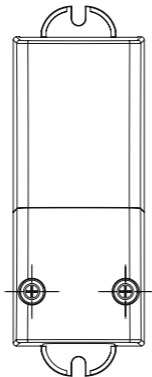
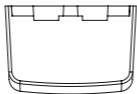
- This unit is design specifically for "2-Wire" products controlling low wattage 230V AC CFL and LED lamps and luminaires. Compatible with Timeguard automated controls: ZV700, ZV700B, ZV210, ZV215, ZV810 and DS1.
- Only one ZV900 is required in the lighting circuit operated by the automated control.

2. Safety

- Before installation or maintenance, ensure the mains supply to the product is switched off and the circuit supply fuses are removed or the circuit breaker turned off.
- It is recommended that a qualified electrician is consulted or used for the installation of this product and installed in accordance with the current IEE wiring and Building Regulations.
- Check that the total load on the circuit including when this luminaire is fitted does not exceed the rating of the circuit cable, fuse or circuit breaker.

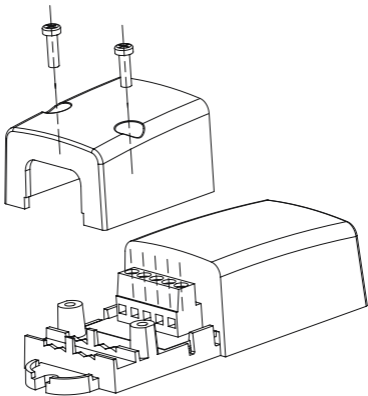
3. Technical Specifications

- 230V AC 50 Hz
- This unit is of class I construction and must be earthed
- Switching capacity: 6A Resistive
5A inductive
- Other rated loads: CFL Low Energy: 2 – 200W
Fluorescent: 76W
LED: 200W
- Boosts the switching capacity of automated switches to the above specified ratings.
- Power consumption: < 1W
- Fixing Hole Centres: 110mm
- Ambient Operating Temperature: 0°C to 40°C
- IP20 Rated for restricted internal applications
- CE Compliant
- EC directives: conforms to latest directives
- Dimensions: H=28mm, W=119mm, D=42mm



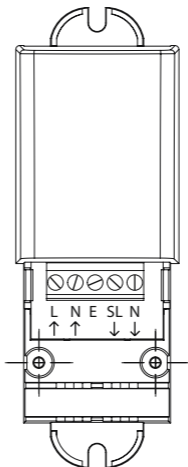
4. Installation

- 4.1 Unscrew the 2 terminal cover screws and remove the terminal cover.



4.2 If the unit is to permanently fixed to a wall/joist or ceiling:

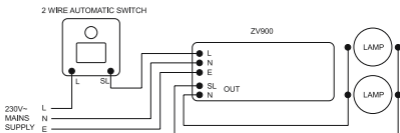
- a) Using the unit as a template mark the position of the fixing holes.



- b) Drill the holes for the rawl plugs ensuring not to infringe with any gas/water pipes or electrical cables that may be hidden below the surface.

- c) Insert the correct rawl plugs for the drilled holes.
 - d) Fix the unit using the correct screws for the wall plugs installed.
- 4.3 Connect the unit as per the provided diagram (See section 5. Connection Diagram) ensuring correct polarity is observed and any bare conductors are sleeved.
- 4.4 Ensure the terminal screws are tight but do not overtighten the terminals screws.
- 4.5 Refit the terminal cover/cable retaining clamp ensuring the cables are secure.
- 4.6 Test for correct operation, according to Commissioning below (See section 6. Commissioning).

5. Connection Diagram



L – From “Switched Live” Output of automatic switch

N – From any permanent 230V neutral connection on the same circuit

E – From any permanent Earth connection on the same circuit

SL Out – To 230V live connection on the luminaire(s) or lamp(s)

N Out – To 230V Neutral connection on the luminaire or lamp

6. Commissioning

- Depending on the level of battery charge in the automated control, adding a ZV900 to the circuit may extend the initial charging time of the control, and LCD displays may take more time than usual to show. Once fully charged, the ZV900 will maintain the charged state, and allow normal operation of the control.
- Due to the circuitry of this unit a very slight delay in switching the lamps/luminaires off maybe experienced when the connected automatic switch turns off. During this brief period, CFL lamps and LED lamps may exhibit flickering or glowing.

3 Year Guarantee

In the unlikely event of this product becoming faulty due to defective material or manufacture within 3 years of the date of purchase, please return it to your supplier in the first year with proof of purchase and it will be replaced free of charge. For the second and third years or any difficulty in the first year telephone the helpline on 020 8450 0515.

Note: A proof of purchase is required in all cases. For all eligible replacements (where agreed by Timeguard) the customer is responsible for all shipping/postage charges outside of the UK. All shipping costs are to be paid in advance before a replacement is sent out.



If you experience problems, do not immediately return the unit to the store.

Telephone the Timeguard Customer Helpline;

HELPLINE
020 8450 0515

or email helpline@timeguard.com

Qualified Customer Support Co-ordinators will be on-line to assist in resolving your query.



A **theben** Group Company

For a product brochure please contact:

Timeguard Limited.

Victory Park, 400 Edgware Road,
London NW2 6ND

Sales Office: 020 8452 1112
or email csc@timeguard.com

www.timeguard.com

67.058.552 (issue 1)