

TIMEGUARD®

Single Spot 32W LED Light

Model: LED400FLWH – White

Model: LED400FLB – Black



Installation & Operating Instructions

1. General Information

These instructions should be read carefully and retained for further reference and maintenance.

2. Safety

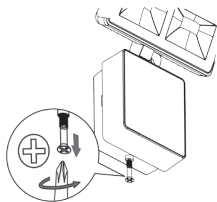
- Before installation or maintenance, ensure the mains supply to the luminaire is switched off and the circuit supply fuses are removed or the circuit breaker turned off.
- It is recommended that a qualified electrician is consulted or used for the installation of this luminaire and install in accordance with the current IEE wiring and Building Regulations.
- Check that the total load on the circuit including when this luminaire is fitted does not exceed the rating of the circuit cable, fuse or circuit breaker.

3. Technical Specifications

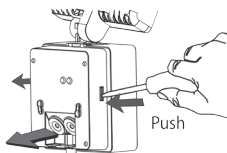
- 220V – 240V AC, 50/60Hz
- This luminaire is of class II construction and must not be earthed
- 32W LED Non replaceable lamp
- Energy efficiency: Class A
- Energy Usage: 32KwH/1000H
- Lumen Output: 1700lm
- Colour Temperature: 5000K – 6300K
- Operating Temperature: -25°C to +45°C
- IP55 Rated suitable for restricted external applications
- CE Approved

4. Installation

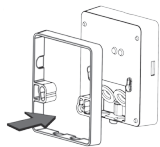
- Undo the fixing screw located on the bottom of the luminaire/wall plate.



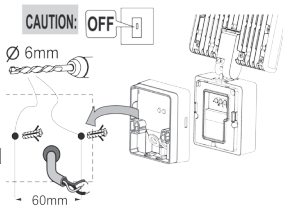
- Remove the wall plate from the luminaire by releasing one of the lugs (left or right side) firmly grip the wall plate with your hand, from top and bottom and carefully lift away from the fitting.



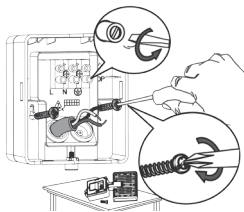
- Select a suitable cable entry point either provided or by drilling into the base ensuring it will not damage or infringe on any of the internal components, Mark the position of the mounting holes on the wall using the spacer (if required) or the wall plate as a template.



- Drill the holes for the wall plugs ensuring not to infringe with any gas/water pipes or electrical cables that may be hidden below the surface. Pass the supply cable through provided spacer (if required) and the wall plate, through the hole(s) provided ensuring that a cable gland, grommet or sealing compound is used to maintain the IP rating of the luminaire.

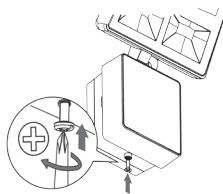


- Fix the spacer (if required) and wall plate to the wall, using the correct screws for the wall plugs installed.

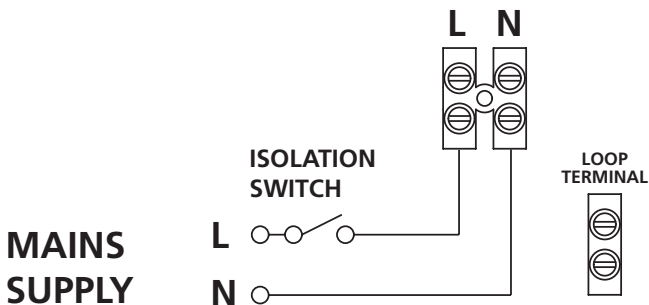


MOUNTING SCREW x 2

- Terminate the cable into the terminal block (please see section 5 Connection Diagram) ensuring correct polarity is observed and that all bare conductors are sleeved.
- Re-connect the luminaire to the wall plate ensuring the 2 lugs firmly latch on the left and right hand side, indicated by a 'click'.
- Re-fasten the fixing screw located on the bottom of the luminaire/wall plate taking care not to over-tighten.



5. Connection Diagram



Connect the 2 core mains supply cable to the block on the unit as follows:-

LIVE (Brown or Red) L

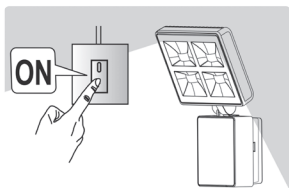
NEUTRAL (Blue or Black) N

A 'Loop Terminal' is provided should a 3 core cable be used.

4

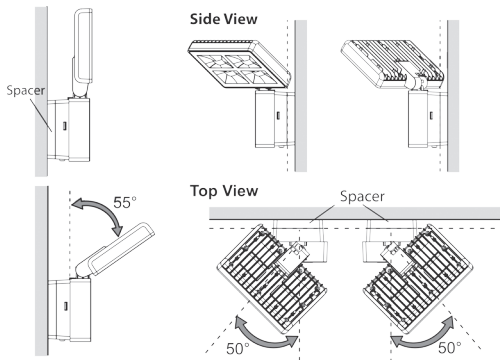
6. Operation

- Turn the power on to the isolating switch and test for correct operation.



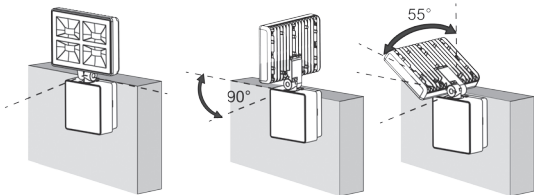
7. Lamp Adjustment

- The lamp can be tilted down 55° and pan outwardly 50° with the spacer or 40° without.

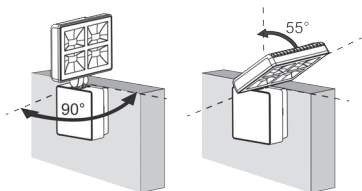


5

- The lamp can be tilted down 55° and pan outward 90° to the left.



- The lamp can be tilted down 55° and pan outward 90° to the right.



3 Year Guarantee

In the unlikely event of this product becoming faulty due to defective material or manufacture within 3 years of the date of purchase, please return it to your supplier in the first year with proof of purchase and it will be replaced free of charge.

For years 2 and 3 or any difficulty in the first year, telephone the helpline on 020 8450 0515.

Note: A proof of purchase is required in all cases. For all eligible replacements (where agreed by Timeguard) the customer is responsible for all shipping/postage charges outside of the UK. All shipping costs are to be paid in advance before a replacement is sent.



If you experience problems, do not immediately return the unit to the store. Telephone the Timeguard Customer Helpline;

HELPLINE

020 8450 0515

or email helpline@timeguard.com

Qualified Customer Support Co-ordinators will be on-line to assist in resolving your query.



A **theben** Group Company

For a product brochure please contact:

Timeguard Limited.

Victory Park, 400 Edgware Road,

London NW2 6ND

Sales Office: 020 8452 1112

or email csc@timeguard.com

www.timeguard.com

Designed in the U.K. 67-058-487 (Issue 3)