

# Halogen Floodlight 500 Watts

Catalogue Numbers: NCFB500C – Black NCFW500C – White

## Installation Instructions

Please read all instructions before proceeding with the installation.

Please keep these instructions somewhere safe, you may need to refer to them at a later date.

**IMPORTANT: Must be installed by a competent person.**

### Warnings

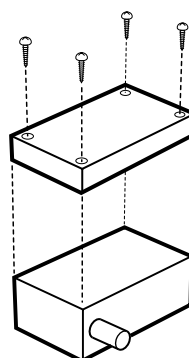
- Lighting load must not exceed 500 watts.
- Ensure the switch and the main switchboard are turned off prior to making wiring connections, or inserting/replacing the bulb.
- The light and its fixture become extremely hot when in use. Do not touch the bulb or fixture with your hands. Use a clean tissue or cloth when handling the bulb at all times to avoid contamination of the bulb's glass surface.

- Do not install near flammable objects.
- Mount the floodlight in a position that gives the following clearances from adjacent surface:-  
above the floodlight – 0.5m, either side of the floodlight – 0.3m, in front of the floodlight – 1.0m.
- Do not attempt to replace the bulb or adjust the angle of fixture until the floodlights power supply has been disconnected and it has had time to cool down
- Must be wired to a 230 volt AC power source.

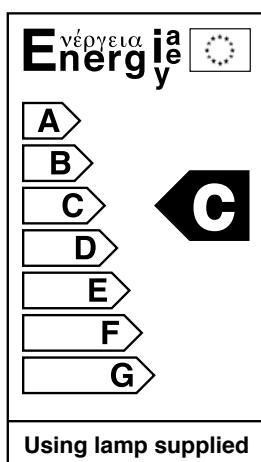
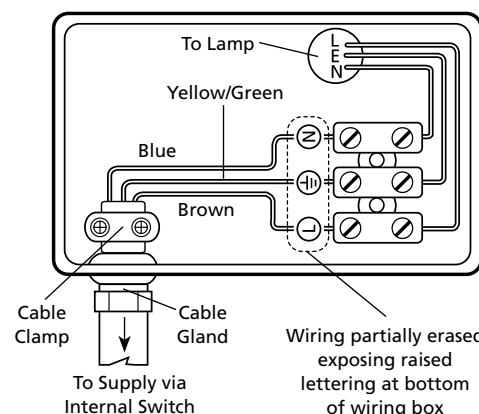
### Wiring Instructions

1. This Halogen Floodlight has three wires:  
Brown – Live Blue – Neutral Green/Yellow – Earth  
Connect these wires to the 230 volt AC power supply via an internal switch.
2. To remove wiring box cover refer to Fig. 1.
3. Refer to Fig. 2 for wiring connections.
4. Ensure the Green/Yellow wire is connected to earth the floodlight.
5. Double check the connections for position and tightness after wiring. Fix wiring box cover and screw down firmly for a waterproof seal.
6. Finally tighten the cable clamp in the wiring box then the cable gland on the outside of the wiring box to seal off the supply cable entry.

**Fig. 1**  
Wiring Box (cover removal)



**Fig. 2**  
Wiring Box (cover removed)



The lamp supplied is a class C (high efficiency) unit of 400W power consumption giving a similar light output to the lower efficiency 500W units previously in use. The lamp has R75 caps.

**Warning:**  
When in use the bulb and the floodlight become extremely hot. Do not touch the bulb or floodlight with your bare hands. Use a clean tissue or cloth when handling the bulb at all times (excretions from hands can contaminate the bulb surface and seriously reduce bulb life).

### How to Replace Bulb

1. Remove screw located at the top of the floodlight and swing glass and frame down to expose the bulb holder.
2. Ensure both bulb holder sockets are clean.
3. Insert one end of bulb into one spring loaded socket and the gently insert the other end of the bulb into the other socket. Make sure the bulb is located centrally in both sockets.
4. Swing the cover up back into its original position and secure using screw.

### 3 Year Guarantee

In the unlikely event of this product becoming faulty due to defective material or manufacture within 3 years of the date of purchase, please return it to your supplier in the first year with proof of purchase and it will be replaced free of charge. For years 2 and 3 or any difficulty in the first year telephone the helpline on **020 8450 0515**.

**Caution:** do not install near flammable objects as floodlight becomes extremely hot when in use. Do not attempt to replace the bulb or adjust the angle of the floodlight until the units power supply has been disconnected and it has cooled down.

For assistance with the product please contact the HELPLINE on 020 8450 0515 or email [helpline@timeguard.com](mailto:helpline@timeguard.com)

For a product brochure please contact:

**Timeguard Ltd.** Victory Park, 400 Edgware Road, London NW2 6ND Tel: 020-8452-1112  
or email [csc@timeguard.com](mailto:csc@timeguard.com)

A **thoburn** Group company