

# 13W LOW ENERGY HALF LANTERN

Cat No. EC013L



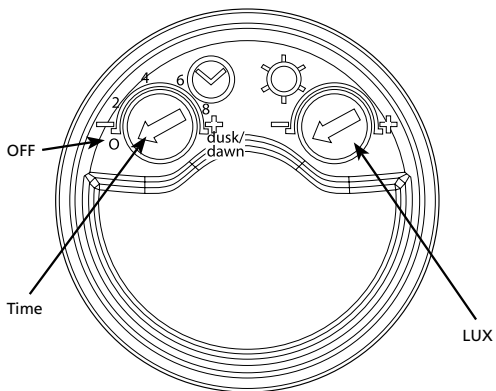
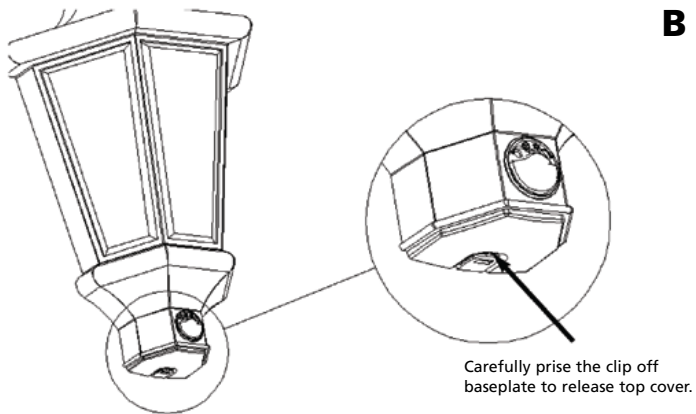
Instructions

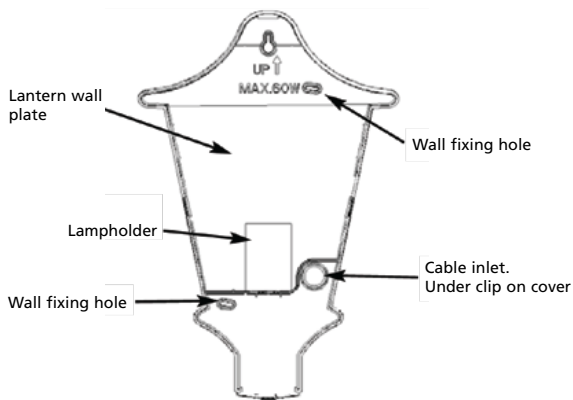
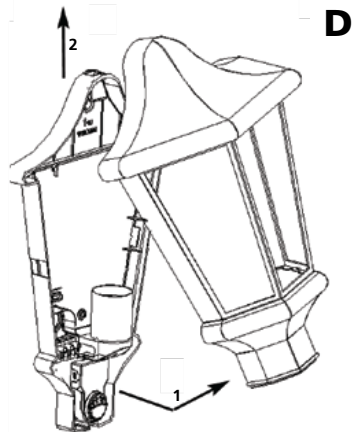
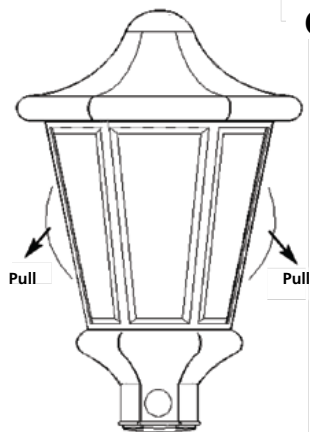


INSTRUCTIONS

Prote

SMIC

**A****B**



## **SECTION ONE**

### **GENERAL INFORMATION**

The unit features an integral daylight sensing photocell which will automatically switch the light on at dusk and off at dawn or at a time set by the user.

#### **PARTS INCLUDED**

- Luminaire c/w Photocell Sensor unit.
- Instruction manual. Please keep safe for future reference.
- Accessory pack.
- Wall mounting plate.
- 13W PL low energy lamp.

#### **TOOLS & PARTS NEEDED**

- 3 flexible core cable.
- 240V 60W (max) GLS ES lamp.
- Electric/hand-held drill & bits.
- Terminal or electricians screwdriver.
- Wire cutters.

Unit is for outdoor use only. Unit must be mounted as a fixed luminaire, and is not suitable for portable use.

The unit can get hot during use. Ensure the unit has cooled before handling.

Do not attempt to install during wet weather, if you are suffering from nausea or dizzy spells or on medication with similar side effects.

## **SECTION TWO**

### **INSTALLATION**

After choosing a suitable location (see previous section) install the unit as follows:

The unit is suitable for connection to a 240 V ac 50Hz electricity supply. It is suggested that 3-core round flexible cable of 1mm<sup>2</sup> gauge is used. An internal switch should be installed to switch the power to the unit ON & OFF. This allows the unit to be easily switched off when not required or for maintenance purposes.

Remove the top cover from the baseplate as follows:-

Diagram B. Using a small flat blade terminal screwdriver so as not to damage the clip, carefully prise the lower clip off its locating rib on the base plate. The lower edge of the lantern cover will now be partially released

Diagram C. There are two locating clips on either side of the lantern, carefully prise the sides of the front cover away from the baseplate and the lantern cover will be further released.

Diagram D. Finally lift the front cover upwards and away from the base, there is a locating rib in the top cover which fits into a groove on the base.

Store the front cover safely until installation is complete.

Using the back plate as a template drill two holes. Insert the rawl plugs into the holes. Diagram E.

## **SECTION THREE**

### **OPERATION AND TESTING**

#### **SETTING UP FOR AUTOMATIC OPERATION**

The adjustment controls on the unit (diagram A) should be set as follows.

The **TIME** control determines how long the lamp remains illuminated after activation. There are 5 designated "time on" settings O (or off), 2, 4, 6, 8 hours and dusk/dawn.

These settings allow the lamp to illuminate for the designated time on period after darkness falls and the unit is activated.

If you require the lamp to be illuminated all night, set the time control fully clockwise to "Dusk/Dawn". The unit will then remain on until the following morning when the lux level increases enough to switch the unit off during the day.

The **DUSK (LUX)** control determines the level of darkness required for the unit to start operating.

The setting is best achieved by the procedure below:

**Set the DUSK control knob fully anti-clockwise** and the Time control to the required number of hours or dusk/dawn (do **not** leave in the O (off, fully anti-clockwise) position). Wait until darkness falls.

When the ambient light level reaches the level of darkness at which you wish the lamp to become operative (ie. At dusk), SLOWLY rotate the control in a clockwise direction until a point is reached where the lamp illuminates. Leave the control set at this point.

At this position, the unit should become operative at approximately the same level of darkness each evening. Observe the operation of the unit. If the unit is starting to operate too early (ie. when it is quite light), adjust the control slightly anti-clockwise. If the unit starts to operate too late (ie. only when it is very dark), adjust the control slightly clockwise.

Continue to adjust until the unit operates as desired.

#### **MANUAL OVERRIDE MODE**

The light can be switched on for longer time periods by use of the **Manual Override Mode**. This can be activated at night by using the internal wall switch or circuit breaker supplying the unit.

Please note:- The unit **CANNOT** be operated in Manual Override Mode during daylight hours. If you want to test this function when installing the unit, this test must be carried out after dusk when the unit has become operational.

#### **To activate Manual Override Mode:-**

Switch the internal wall switch/circuit breaker once (off/on) within 1 second.

The unit will now illuminate continuously until dawn or until it is switched back into Auto Mode.

#### **To de-activate Manual Override Mode (ie. switch the unit back into Auto Mode):-**

Switch the internal wall switch/circuit breaker once (off/on) within one second. The unit will return to its Auto mode and will operate as set up initially.

Remove the cover from the terminal block. Diagram D.  
PIERCE & PASS THE CABLE THROUGH THE GROMMET BEFORE PROCEEDING.  
It is recommended that the grommet is pierced with a screwdriver to ensure a better seal.  
Allow approximately 50mm of cable to pass through the grommet.

Fit the grommet into its location, ensuring a good seal.

Fix the mounting plate to the wall. Take care not to overtighten the screws to prevent damage to the mounting plate. If using a power screwdriver, use the lowest torque setting.

## CONNECTION

Connect the cable to the terminal block on the unit as follows (see connection diagram):

NEUTRAL (Blue)            N

EARTH (Green/Yellow)    ⊕

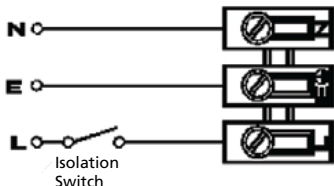
LIVE (Brown)            L

Ensure that the connections are secure.

Install the lamp.

Ensure no wires are trapped.

Refit the terminal block cover and front cover (reversal of removal) ensuring all clips are firmly located.



## SECTION FOUR

### TECHNICAL SPECIFICATIONS

<b>Power Supply</b>	240V AC ~ 50Hz
<b>Lamp Type</b>	240V 13W PL Energy Saving Lamp
<b>Time On</b>	2, 4, 6, 8 hours from dusk or dusk/dawn
<b>Lux Level Adjustment</b>	Day & night or night only operation
<b>Environmental Protection</b>	IP44 (suitable for outdoor use)
<b>EC Directives</b>	Conforms to 73/23/EEC, 89/336/EEC

**If you experience problems refer to Troubleshooting Guide.  
If problems still exist, do not immediately return the unit to store.**

**Telephone the Timeguard Customer Helpline**

**020 8450 0515**

**Qualified Customer Support Co-ordinators will be on-line to assist in resolving your query.**

## SECTION FIVE

### TROUBLESHOOTING GUIDE

#### PROBLEM

- The sensor will not operate at night.
- Unit activates during the daytime.

#### SOLUTION

The level of ambient light in the area may be too bright to allow operation at the current DUSK setting. During the hours of darkness, adjust the DUSK control slowly clockwise until the lamp illuminates. Refer to previous section for more details.

Adjust the setting anti-clockwise to lower the level of ambient light required for activation.



In the unlikely event of this product becoming faulty due to defective material or manufacture, within 1 year of the date of purchase, please return it to your supplier with proof of purchase and it will be replaced free of charge. In the second and third years or any difficulty in the first please contact our helpline on 020 8450 0515.

For assistance with the product please contact:-

**HELPLINE**

**020-8450-0515**

or email [helpline@timeguard.com](mailto:helpline@timeguard.com)



For a product brochure please contact:

**Timeguard Ltd.**

Victory Park, 400 Edgware Road,  
London NW2 6ND Tel: 020-8452-1112  
or email [csc@timeguard.com](mailto:csc@timeguard.com)

A **thoben** Group company