

# Dusk to Timed OFF Courtesy Bulkhead Light

Model: NSLB90 – Black



Installation & Operating Instructions

## Diffuser Removal

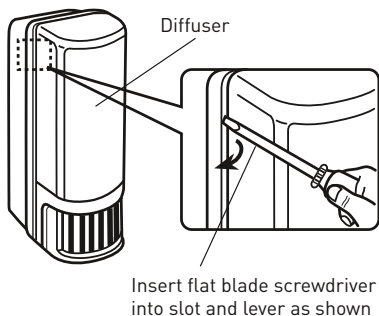


Diagram A

## Controls at Base of NSLB90

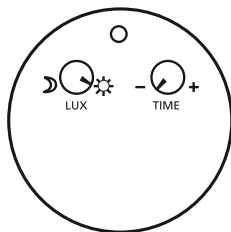


Diagram B

## NSLB90 with Diffuser Removed

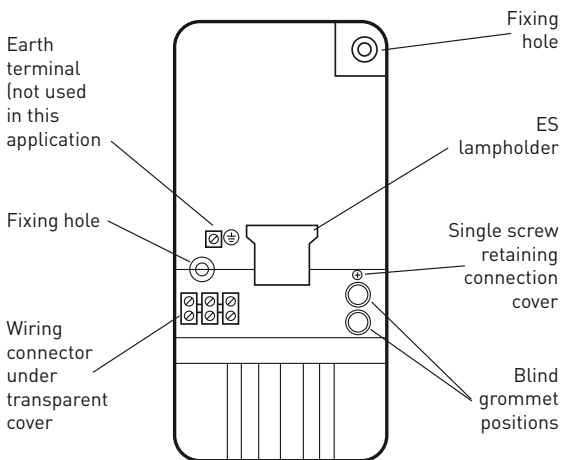


Diagram C

## 1. General

The unit features an integral daylight sensing photocell which will automatically switch the light on at dusk and off at a time set by the user.

### Parts Included

- Luminaire complete with photocell unit.
- Instruction manual. Please keep safe for future reference.
- Accessory Pack.

### Tools & Parts Needed

- Electric/hand-held drill & bits.
- Terminal or Electricians screwdriver.
- Large flat blade screwdriver.
- Wire cutters.

The unit is for outdoor use only and must be mounted on a non-flammable surface as a fixed luminaire, and is not suitable for portable use.

The unit can get hot during use. Ensure the unit has cooled before handling.

Ensure adequate ventilation space is allowed between the unit and any object above, in front or to either side of the unit. Space required is 0.5m above, 0.3m to either side and 1.0m in front.

If in any doubt, consult a qualified tradesperson or electrician.

## 2. Installation

The unit is suitable for connection to a 230 V ac 50Hz electricity supply. It is suggested that 2-core round flexible cable of 1mm<sup>2</sup> gauge is used. A switch should be installed to turn the power to the unit ON & OFF. This allows the sensor to be easily switched off when not required or for maintenance purposes. The NSLB90 is a class 2 luminaire and does not need to be earthed.

### \*\*\* IMPORTANT \*\*\*

**Switch off the electricity at the fuse box by removing the relevant fuse or switching off the circuit breaker before proceeding with the installation.**

**We recommend that this unit be fitted by a qualified electrician. Install in accordance to current wiring and building regulations. Please read the instructions carefully. If in any doubt contact the Timeguard Helpline.**

Remove the diffuser using a large flat blade screwdriver to release the clips on both sides (diagram A).

Detach the connection cover by removing the fixing screw (located above the cable inlets).

Ensure the unit is in an upright position with the sensor module at the bottom. Mark the position of the fitting holes.

Drill the holes. Insert wall plugs into the holes if necessary.

**Make an undersize hole in the blind grommet to guard against water ingress and pass the cable through the hole before proceeding.**

Use the channel on the rear of the case to route the cable if necessary then fix the case to the wall. Beware of overtightening the screws on an uneven surface as this may distort the case.

### 3. Connection

Pass the mains supply cable around the back of the lampholder for ease of wiring.

Connect the cable to the terminal block on the unit as follows (see connection diagram):

NEUTRAL (Blue) N

LIVE (Brown) L

Ensure that the connections are secure.

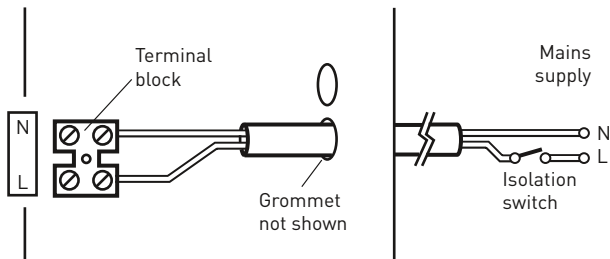
Re-attach the connection cover.

Install the light bulb.

Fit the diffuser back onto the main body of the unit, ensuring it clicks firmly in place at all four places.

4

### Connection Diagram



## 4. Operation and Testing

### SETTING UP FOR AUTOMATIC OPERATION

The adjustment controls on the underside of the unit (diagram B) should be set as follows.

The TIME control determines how long the lamp remains illuminated after activation. The minimum time (fully anti-clockwise) is approx. 1 hour, whilst the maximum time (fully clockwise) is approx. 12 hours. Set the control to the desired setting between these limits.

The DUSK (LUX) control determines the level of darkness required for the unit to start operating.

Wait until the ambient light level reaches the level at which you like the light to turn on. Set the DUSK control knob fully anti-clockwise then move the DUSK control a small step at a time clockwise pausing for some time between steps until the light turns on. Leave the control set at this point.

At this position, the unit should become operative at approximately the same level of darkness each evening. Observe the operation of the unit. If the unit is starting to operate too early (ie. when it is quite light), adjust the control slightly anti-clockwise. If the unit starts to operate too late (ie. only when it is very dark), adjust the control slightly clockwise. Continue to adjust until the unit operates as desired.

## 5. Technical Specifications

Power Supply:	230V AC 50Hz
Lamp Type:	230V 60W (max) GLS or Halogen ES
Time ON Adjustment:	1 hour – 12 hours
Environmental Protection:	IP44 (suitable for outdoor use)

## 6. Troubleshooting Guide

The sensor will not operate at night.

The level of ambient light in the area may be too bright to allow operation at the current DUSK setting. During the hours of darkness, adjust the DUSK control slowly clockwise until the lamp illuminates. Refer to previous section for more details.

Unit activates during the daytime.

The level of ambient light in the area may be too dark for the current DUSK setting. During daylight, adjust the DUSK control slightly anti-clockwise until the lamp load extinguishes.

### 3 Year Guarantee

In the unlikely event of this product becoming faulty due to defective material or manufacture within 3 years of the date of purchase, please return it to your supplier in the first year with proof of purchase and it will be replaced free of charge. For years 2 and 3 or any difficulty in the first year telephone the helpline on 020 8450 0515.

Note: a proof of purchase is required in all cases. For all eligible replacements (where agreed by Timeguard) the customer is responsible for all shipping/postage charges outside the UK. All shipping costs are to be paid in advance before a replacement is sent.



HELPLINE  
**020 8450 0515**

or email [helpline@timeguard.com](mailto:helpline@timeguard.com)



For a product brochure please contact:

**Timeguard Limited.**

Victory Park, 400 Edgware Road,  
London NW2 6ND

Sales Office: 020 8452 1112  
or email [csc@timeguard.com](mailto:csc@timeguard.com)

A **theben** Group Company

Designed in the U.K. 67-058-358 (Iss. 2)