

Energy Saver Floodlight 36 Watts

Catalogue Number: ECO36F – Black

Installation Instructions

Please read all instructions before proceeding with the installation.
Please keep these instructions somewhere safe, you may need to refer to them at a later date.

IMPORTANT: Must be installed by a competent person.

Warnings

- Lighting load must not exceed 36 watts.
- Ensure the switch and the main switchboard are turned off prior to making wiring connections, or inserting/replacing the bulb.
- The bulb and front glass become hot when in use. Allow the unit to cool before touching the bulb or front glass with your hands.
- Do not install near flammable objects.
- Mount the floodlight in a position that gives the following clearances from adjacent surface:-
above the floodlight – 0.3m, either side of the floodlight – 0.3m, in front of the floodlight – 1.0m.
- Must be wired to a 230 volt AC power source.

How to Install/Replace Bulb

Before proceeding further fit the lamp to the flood light. To do this remove the 4 screws retaining the front glass and frame using a suitable cross point or flat blade screwdriver referring to Fig. 1. Remove the frame and glass being sure to retain the screw sealing rings and the frame gasket.

Remove the spiral lamp from its box, ensure the lamp holders within the flood light are in the open position (see Fig. 2a). Insert each end of the lamp into the lamp holders and rotate the lamp through 90° so that the lamp holders are as shown in Fig. 2b.

Should you experience any difficulty in obtaining replacement lamps, these are available from Timeguard Ltd., please ring the helpline number below.

FRONT GLASS REMOVAL

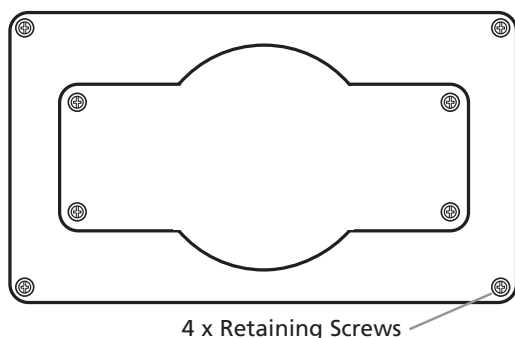
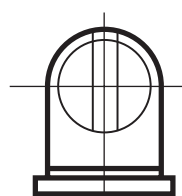
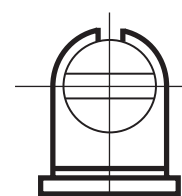


Fig. 1

LAMPHOLDER POSITION



OPEN



CLOSED

Fig. 2a

Fig. 2b

Installation

Choose a location to fix the unit bearing in mind the proximity of adjacent surfaces, (see Warnings above).

Mark the position of the 2 fixing holes (see Fig. 3).

Drill the holes. Insert the wall plugs into the holes if necessary and drive the 2 screws in until the back of the heads are approx. 3mm clear of the wall.

Before proceeding slacken off the cable gland and pass the cable through it (it is suggested that 3-core round flexible cable of 1mm² gauge is used).

Fix the mounting bracket to the wall by pushing the larger part of the keyhole over the screw head and then sliding the bracket downwards so that the screw sits at the top of the narrow section of the keyhole. Tighten the fixing screws.

MOUNTING BRACKET

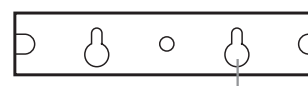


Fig. 3

Fixing Keyhole

Energy Saver Floodlight 36 Watts

Catalogue Number: ECO36F – Black

Installation Instructions - cont.

Wiring Instructions

***** IMPORTANT *****
Switch off the electricity at the consumer unit by removing the relevant fuse or switching off the relevant circuit breaker before proceeding with the installation.

Connection

Remove the wiring box cover by unscrewing the 4 retaining screws (Fig. 4) and remove the cover being careful to retain the 4 screw sealing rings and the cover gasket. The unit is suitable for connection to a 230 V ac 50Hz electricity supply. An isolating switch should be installed to switch the power to the unit ON & OFF. This allows the floodlight to be easily switched off when not required.

Rotate the flood light so that the front glass looks back towards the wall, giving good access to the connector block.

Take out the 2 screws holding the connector block in place and remove the connector block to ease wiring.

Connect the mains supply cable to the terminal block as follows (see Fig. 5 connection diagram):

| | |
|----------------------|---|
| NEUTRAL (Blue) | N |
| EARTH (Green/Yellow) | ⊕ |
| LIVE (Brown) | L |

Ensure the connections are secure. Replace the connector block and replace and tighten the 2 fixing screws. Adjust any excess cable and tighten the cable gland.

WIRING BOX COVER

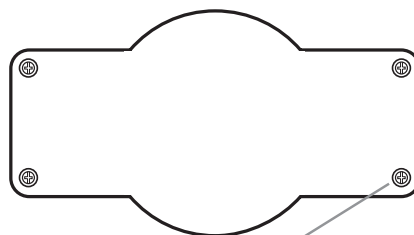


Fig. 4 4 x Retaining Screws

WIRING BOX CONNECTION DIAGRAM

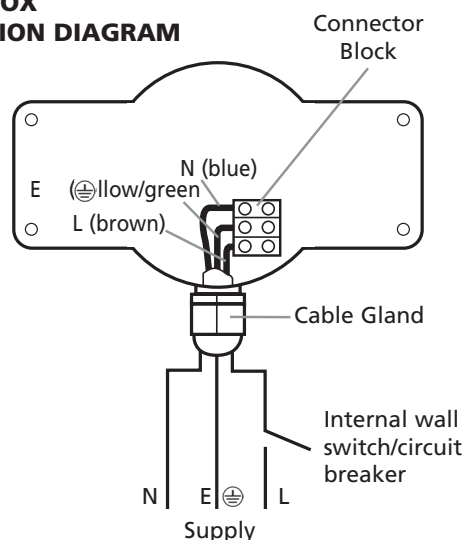
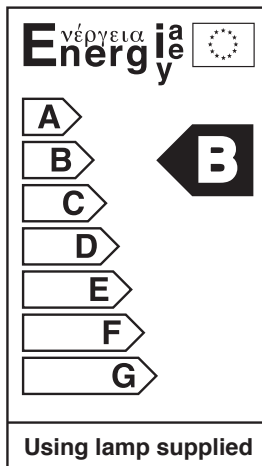


Fig. 5

3 Year Guarantee

In the unlikely event of this product becoming faulty due to defective material or manufacture within 3 years of the date of purchase, please return it to your supplier in the first year with proof of purchase and it will be replaced free of charge. For years 2 and 3 or any difficulty in the first year telephone the helpline on **020 8450 0515**.
 This guarantee does not apply to the bulb.



The bulb supplied is a class B (high efficiency) unit of 36W power consumption giving a similar but more diffuse light output to the lower efficiency 150W halogen units previously in use.

For assistance with the product please contact the HELPLINE on 020 8450 0515 or email helpline@timeguard.com

For a product brochure please contact:
Timeguard Ltd. Victory Park, 400 Edgware Road, London NW2 6ND Tel: 020-8452-1112
 or email csc@timeguard.com

A **theben** Group company