


1.0 Designated use

The weatherstation is a combination device which can be used a sensor to measure wind, rain, brightness and temperature in smaller commercial properties and in the residential market. These variables are then evaluated in the device.

The weatherstation is suitable for use with the European installation bus **EIB KNX** in conjunction with the **theben** product database. The measured variables for wind, temperature, etc. are sent directly to the bus and processed in the device.

2.0 Safety

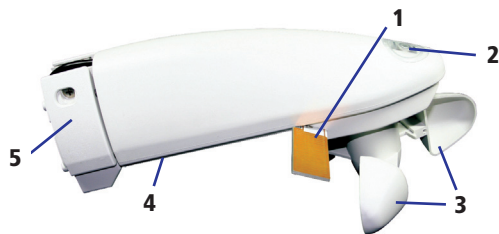
 The bus line must be arranged, connected and installed in accordance with the valid regulations to DIN-VDE and also the EIB Handbook and ZVEI/-ZVEH. Work may be carried out only by trained electricians qualified to EIB. Compliance is required with the national regulations and valid safety requirements. Tampering with or making modifications to the device will invalidate the guarantee.

- Do not touch the rain sensor when the device is in operation. It can get very hot.
- Please note: When it is windy, awnings/blinds take a while to retract. Therefore, set the wind threshold below the value specified by the manufacturer of the awning/blinds.
- The wind sensor could freeze at temperatures below the freezing point and in windy conditions. Therefore, please use a temperature threshold in addition to the wind threshold (e.g. 0 °C).
- As the rain sensor reacts only to waterdrops directly on the sensor, a certain time delay can result from when it starts to rain and when the sensor detects it, during which time the awning can get wet, for example. To avoid this, use additional variable such as low brightness and wind.

3.0 Description



- 1 Rain sensor
- 2 Light sensor
- 3 Wind sensor
- 4 Temperature sensor
- 5 Wall holder



4.0 Installation



- Install the light sensor horizontally in the sun near the sun shield and not in the lee.
- Avoid any passing shadows (e.g. from poles, etc.) and light reflections.

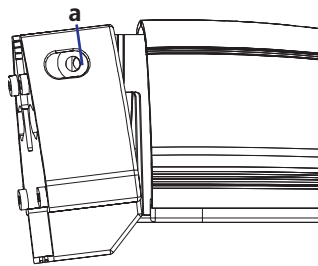
Note:

- **Horizontal mounting position**
- **Light sensor on top**
- **Wind sensor on the bottom**

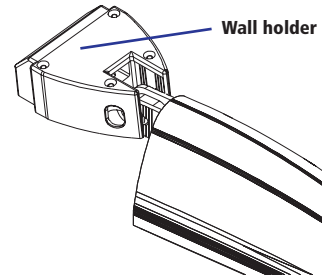
■ Mounting using the wall holder

- You can mount the weatherstation using the wall holder. You can swing it -5° to 180° .
- Once you have set the position, use the screw (a) to save the setting.

Wall holder rotated to 180°

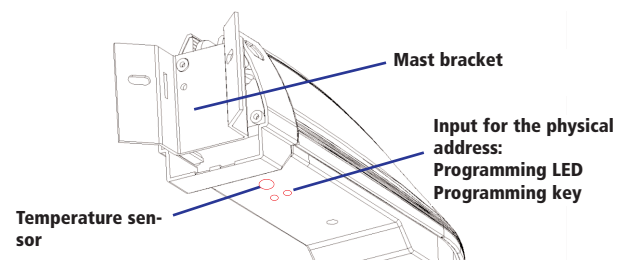


Wall holder rotated to 90°

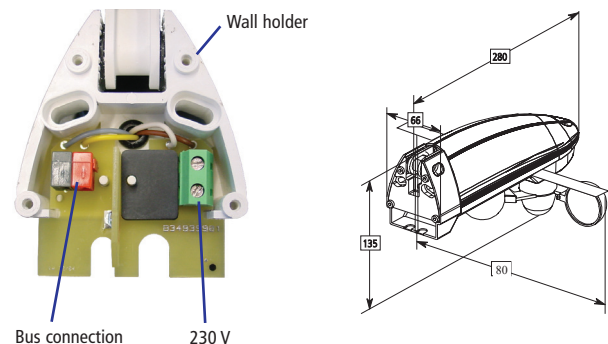


■ Attaching to a mast or a corner

- You can also attach the wall holder using the so-called mast or corner bracket (special accessory; has to be ordered separately from Theben).



5.0 Connection and dimensions



6.0 Technical data

Measuring range:	-20°C to $+55^\circ\text{C}$
Brightness range:	1-100,000 Lux
Operating voltage:	Bus voltage and 230 V for heating required
Power consumption:	$<10\text{ mA}$ at bus voltage
Power draw from the mains network:	10 W when heater is switched on
Protection rating:	IP 44 in accordance with EN 60529
Control type:	RS type 1 according to EN 60730-1
Class of protection:	II according to EN 60730-1 with correct installation
Detection angle:	150°
Mast bracket:	Dm 60-80 mm (special accessory)

Theben AG
 Hohenbergstr. 32
 72401 Haigerloch
 Tel. +49 (0) 74 74/6 92-0
 Fax +49 (0) 74 74/6 92-150

Service
 Tel. +49 (0) 90 01 84 32 36
 Fax +49 (0) 74 74/6 92-207
 hotline@theben.de

Adresses, telephone numbers etc. at
www.theben.de