

**Sensor interfaces with 2, 4 and 6 channels**

<b>TA 2</b>	496 9 202
<b>TA 4</b>	496 9 204
<b>TA 6</b>	496 9 206

**1.0 Designated use**

The sensor interfaces are binary input/output devices for use in flush sockets. Either two/four/six inputs for potential-free switch/sensor contacts are available. Commands can be sent via the connected switches/sensors to actuators to switch on/off, to dim lights or to raise or lower blinds.

The sensor interfaces are suitable for use in the European installation bus **EIB/KNX**.

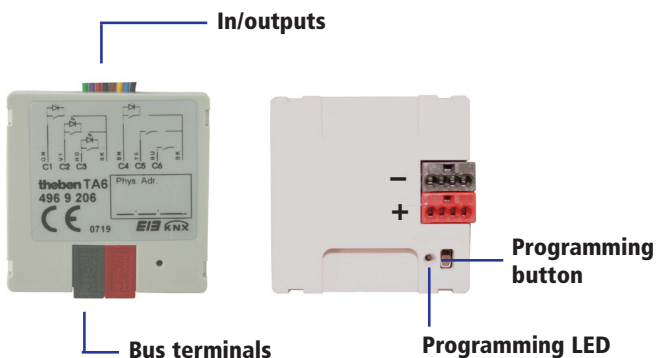
The following functions are available:

- Switch or sensor input
- Dimmer control
- Control of blinds
- Valuator

**2.0 General safety advice**

- Installation must only be carried out by qualified electricians with experience of EIB in accordance with the relevant national regulations!
- Only to be used in dry rooms with normal level of cleanliness.
- Only work on inputs when they are disconnected from electricity supply.
- Do install in flush sockets when connected to the mains electricity supply.

**3.0 Description**



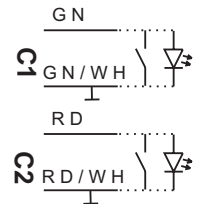
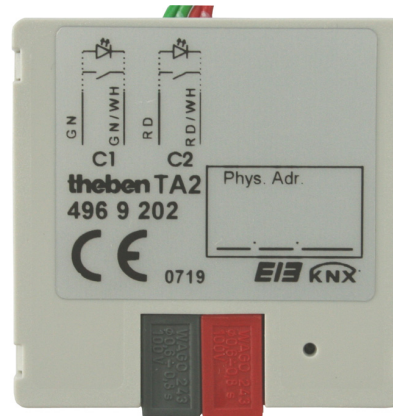
**4.0. Electrical connection**

**Bus connection**

- Connect the bus terminal to the bus cable.
- Ensure correct polarity: red = +, black = - (for the bus terminal connection)
- Attach bus terminal.

**TA 2 (2 channels)**

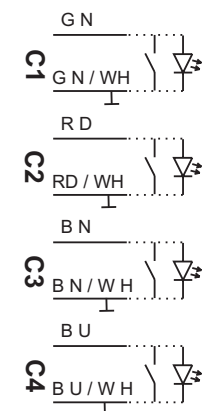
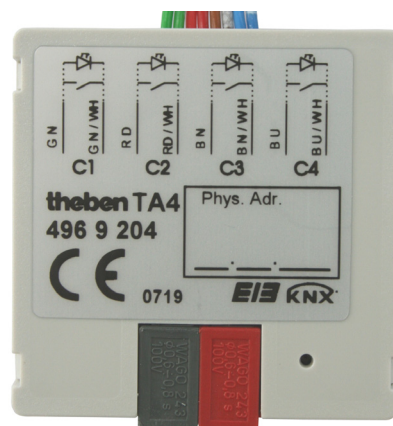
**Connection for sensor and LED**



- Channel1 (C1) →GN = green; GN/WH = green white
- Channel 2 (C2) →RD= red; RD/WH = red/white

**TA 4 (4 channels)**

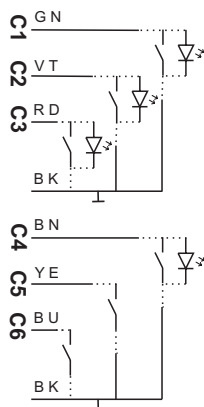
**Connection for sensor and LED**



- Channel1 (C1) →GN = green; GN/WH = green/white
- Channel 2 (C2) →RD= red; RD/WH = red/white
- Channel 3 (C3) →BN = brown; BN/WH = brown/white
- Channel 4 (C4) →BU = blue; BU/WH = blue/white

## TA 6 (6 channels)

### Connection for sensor and LED



- Channel1 (C1) →GN = green
- Channel 2 (C2) →VT= violet
- Channel 3 (C3) →RD = red
- Channel 1, 2, 3 (C1, C2, C3) →BK = black
- Channel 4 (C4) →BN = brown
- Channel 5 (C5) →YE= yellow
- Channel 6 (C6) →BU= blue
- Channel 4,5,6 (C4, C5, C6) →BK = black

### Parameterisation via ETS

- **Inputs** for sensors/switches, dimmers, control of blinds, valuator or
- **Outputs** for activating LEDs

### Connections for LEDs

- **Ensure correct polarity!**

### Use of double rocker switch

- **Connect common connections to earth (GND).**

TA 2: GN/WH, RD/WH

TA 4: GN/WH, RD/WH, BN/WH, BU/WH

TA 6: BK

## 5.0 Technical data

- Operating voltage: Bus voltage
- Power consumption: < 10 mA
- Contact voltage: 3.3 V
- Contact current: 0.1 mA
- Permissible ambient temperature: -5 °C ... +45 °C
- Protection class: III in accordance with EN 60730-1
- Protection rating: IP 20 in accordance with EN 60529
- Maximum cable length: 5 m
- LED (connection): Low Current (1 mA model) (only suitable for red, green and yellow LEDs)

The device is suitable for use in conditions with a normal environment. Observe deviating technical data on the device rating plate! Technical changes reserved.

If the devices are combined with others for use within a system, ensure that the system as a whole does not cause radio interference.

The ETS database can be found under [www.theben.de](http://www.theben.de)  
Please refer to the Handbook for detailed functional descriptions.

## 6.0 Service address/Hotline

### Service address

**Theben AG**  
Hohenbergstr. 32  
72401 Haigerloch  
GERMANY  
Phone +49 (0) 74 74/6 92-0  
Fax: +49 (0) 74 74/6 92-150

### Hotline

Phone+49 (0) 74 74/6 92-369  
Fax: +49 (0) 74 74/6 92-207  
hotline@theben.de

**Addresses, telephone numbers etc.**  
[www.theben.de](http://www.theben.de)