

*Programa***STAT**

UNDERFLOOR HEATING CONTROLLER

Cat. No TPT44



TIME GUARD
LIMITED

INSTALLATION & OPERATING INSTRUCTIONS

General

The ProgramaSTAT TPT44 combines the elements of timeswitch and room thermostat in a single compact, economical and stylish unit. Back up is provided to retain programme information in the event of a power failure.

The TPT44 controls the room temperature to a comfort level when required and to a set-back temperature at other times. It does this using an internal temperature sensor. The set-back temperature can be set to 10°C for frost protection or much higher when elderly or infirm are occupying the room. The floor temperature is monitored with an underfloor probe (included) and is limited at a user adjustable temperature which must not be set higher than 30°C.

Siting

The TPT44 ProgramaSTAT should not be installed in a wet area. Further siting instructions are given in the Thermolay cable and mat instruction leaflet. If there is additional heating in the room do not position the TPT44 directly above it.

Installation

The installation should be carried out by a competent person following the latest I.E.E wiring and local authority regulations in the UK, or the relevant wiring and local authority regulations in other countries.

The TPT44 underfloor heating controller is designed to fit onto either a BS4662 recessed single box or a BS5733 surface mount single box. The minimum box depth required is 32mm. The ideal mounting height is at eye level for the shortest person who is likely to programme the unit. For details of the installation of the temperature probe and heating cable or mat see the Thermolay instruction leaflet.

Switch OFF the mains to the controller. Remove the thermostat surround by pulling forward on the surround. Use a small screwdriver as a lever to remove the surround when the thermostat is fixed on the wall. Cut the cable tails of the temperature probe and heating mat or cables to length and strip sleeving and insulation as required. Identify the wires and locate according to figure 1. Supply cable with a minimum of 2.5mm² must be used. Tighten the screw terminals onto the wires and form the cables. **Ensure that the link shown between terminals 2 and 3 in Fig. 1 is in place.** Offer the unit up to the wall box forming the cables as required, finally locating and tightening up the fixing screws supplied. Snap the surround back into position.

To test the unit is operating set the temperature to 30 °C as described in "Manual Temperature Setting A. Temporary temperature override". After a few seconds the Heating ON indicator will show. Wait for 1 hour for a wood under floor or up to 5 hours for

an uninsulated concrete floor (the warm-up time for uninsulated concrete will be substantially reduced when the moisture has been driven out of the concrete during the first few heating cycles) and feel if the floor starts to warm. If it does not, check the connections and carry out the checks on the mat or cable installation instructions.

Wiring Connections

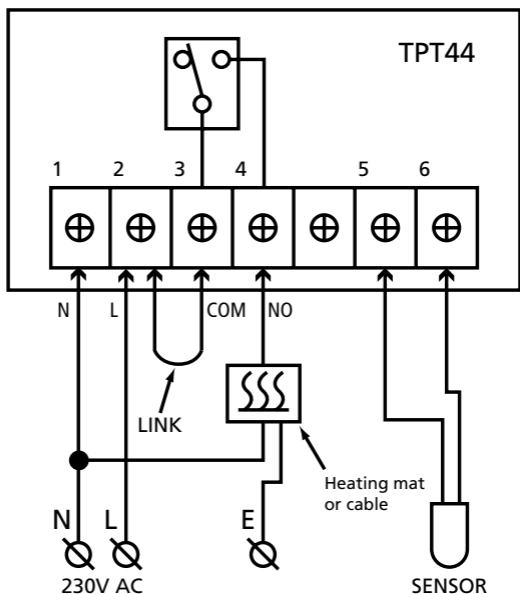


Fig. 1

Earthing

The TPT44 itself does not require to be earthed. The screen around the flying lead (cold cable) from the Thermolay mat must be earthed to the box terminal. This also applies to the screen at each end of the Thermolay cable, both of which must be earthed in the same way.

Programming

Power on and reset

When first switched on the TPT44 has a default program set which is comfort mode from 7:00am to 10:30pm.

In case of a power cut the unit will remember the program but the time will need to be reset.

To reset the unit to its original program using a narrow blunt object (such as a paper clip) press and hold the "Reset" button through the small hole then press and hold "Set" and release "Reset".

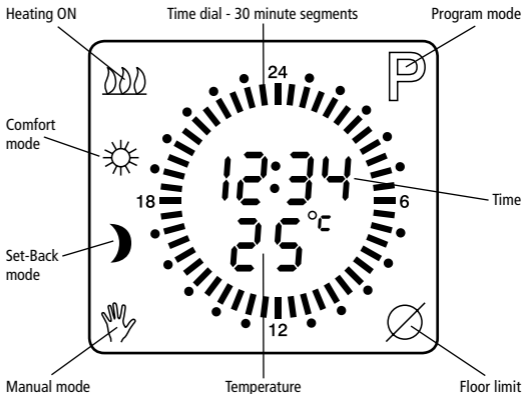


Fig. 2

5

Time Setting

1. Press "Prog" once, the time indicator now flashes, Program mode indicator 'P' shows on the dial.
2. Press "+" or "-" to adjust the time.
3. Press "Set" 5 times to exit, or wait 15 seconds for the unit to auto-exit to the normal run mode.

Program Setting

There are two temperature setting modes.

- A. The Comfort temperature shown on the dial by '☀'. This is the normal running temperature.
 - B. The Set-Back temperature shown on the dial by '⌋'. This is a lower temperature for use for example at night or as a Frostat.
1. Press "Prog" once, the time indicator now flashes and the Program indicator 'P' shows on the dial.
 2. Press "+" or "-" to set the time.
 3. Press the "Set" key. The time shows '00:00' and the time-zone indicator at time '00:00' flashes. The time zone indicator is one segment on the time dial.
 4. Press "+" to advance the indicator without changing its mode (it will advance 30 minutes every time you press "+").
 5. Press "Prog" again to change the existing mode from Comfort '☀' to Set-Back '⌋' or vice versa (the black bars on the dial shows the time the unit will run the Comfort temperature and the blank bars shows when the unit will run at Set-Back temperature). Use these controls to set the times for Comfort and Set-Back during the day.
 6. Press "Set" key once, the '☀' indicator flashes.

7. Press "+" or "-" key to set the Comfort temperature from 10°C to 30°C.
8. Press "Set" key, the '))' indicator flashes.
9. Press "+" or "-" key to set the Set-Back temperature from 10°C to 30°C.
10. Press "Set" key, the 'Ø' indicator is displayed.
11. Press "+" or "-" key to set the floor limiter temperature from 20°C to 30°C.
The floor limiter should not be set to a temperature higher than 30°C.
12. Press "Set" key to exit, the room temperature is displayed.

7

Manual Temperature Setting

A. Temporary temperature override.

1. Press "+" or "-". The '🌡️' indicator and the temperature flash.
2. Press the "+" or "-" key to set the temperature.
3. Press "Set" key once to confirm and the '🌡️' indicator flashes every 3 seconds. It will stay in this Temporary temperature override mode until the next change from Comfort to Set-Back or vice versa.
4. To exit the temporary override at any time press "Set" again.

B. Hold function in hours.

1. Press "+" or "-", the '🌡️' indicator and the temperature flash.
2. Press "+" or "-" key to set the temperature.
3. Press "Prog" key, '1H' indicator displayed.
4. Press "+" or "-" key to set the number of running hours from 1 to 24. The '🌡️' indicator flashes every 3 seconds.
5. To cancel this mode press the "Set" button.

Lock Function

1. Press and hold "Set" key for 5 seconds, 'LOCK' displayed, the keyboard lock is on.
2. Press and hold "Set" key for 5 seconds again, 'ULOC' displayed, the keyboard lock is off.

Read the Floor Temperature

Press "Set" key once, the floor temperature is displayed and will go back to the air temperature after 5 seconds.

Specifications

Operating temp:	-10°C to 40°C
Operating voltage:	220 – 240V AC, 50Hz
Switch capability:	16A resistive, 3A inductive
Temp probe flying lead:	4m length
Temp control range:	6°C to 30°C
Temp accuracy:	±1°C (at 20°C)
Control type:	Normally open, voltage free
EC directives:	Conforms to 73/23/EEC and 89/336/EEC
Dimensions (mm):	84 (H) x 84 (W) x 27 (D)

3 Year Guarantee

In the unlikely event of this product becoming faulty due to defective material or manufacture within 3 years of the date of purchase, please return it to your supplier in the first year with proof of purchase and it will be replaced free of charge. For the second and third years or any difficulty in the first year telephone the helpline on **020 8450 0515**.

For assistance with the product please contact:-

HELPLINE

020-8450-0515

or email helpline@timeguard.com



For a product brochure please contact:

Timeguard Ltd.

Victory Park, 400 Edgware Road,
London NW2 6ND Tel: 020-8452-1112

or email csc@timeguard.com

A **theben** Group company